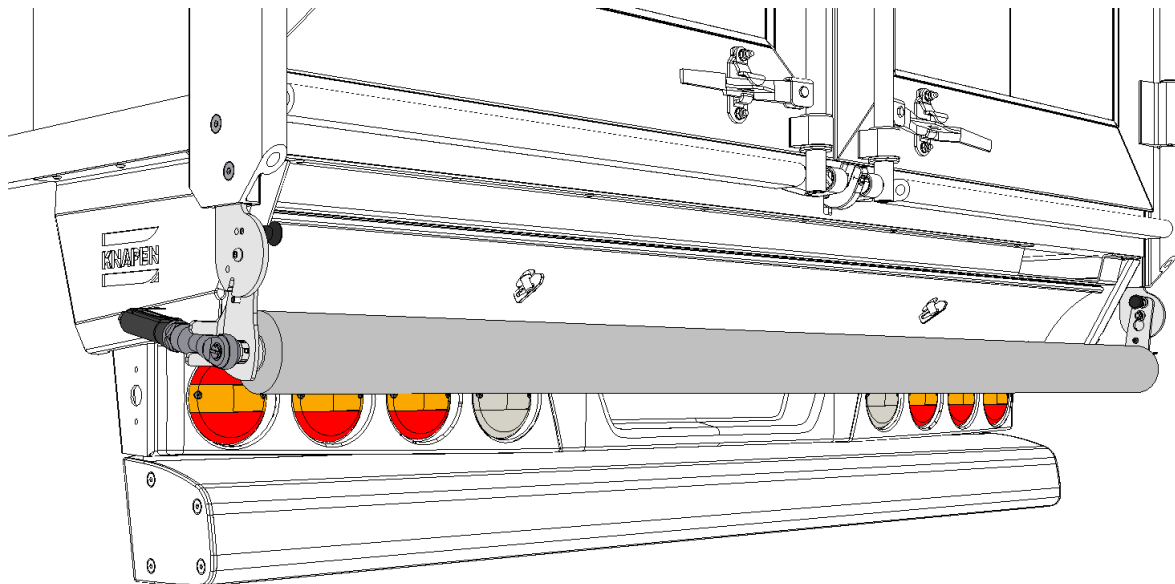


## Operating manual

### Floor sheet

---



Deurne, December 2017

**Version 01**, Operating manual floor sheet – For approval, 21/12/2017

*This document and data disclosed herein are confidential and the property of Knapen Trailers B.V., and are not to be used, reproduced in whole or in part by or to anyone without the written permission of Knapen Trailers B.V.*

## Table of contents

1	Instruction	1
1.1	Mounting brackets and operating	2
1.2	Floor sheet positions	3

## 1 Instruction

This chapter describes how to mount the floor sheet option to your semi-trailer and operate it. Figure 1 shows the fixed parts at the rear end. These are fixed parts and should not be removed when floor sheet is not in use.

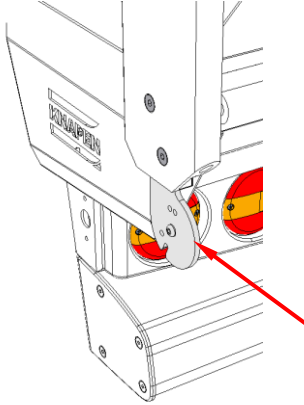
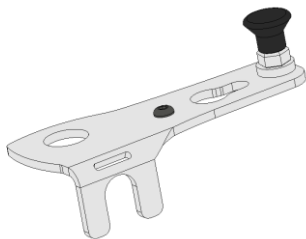
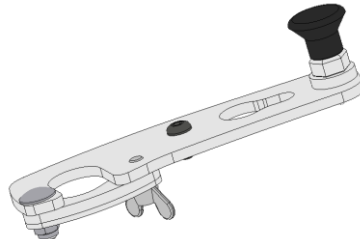


Figure 1: Floor sheet mount(s) at the rear, only left side is shown.

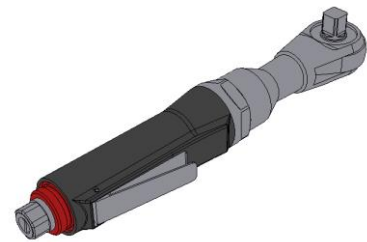
The parts shown on Figure 2 are detachable and meant to be stored in the toolbox when the floor sheet is not in use. This also prevents them from being damaged.



Floor sheet bracket left side



Floor sheet bracket right side



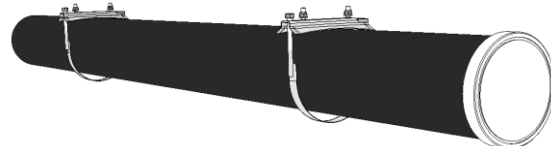
Pneumatic wrench (air hose is not shown)

Figure 2: Detachable parts.

The floor sheet itself is stored under the semi-trailer in a plastic tube.



Floor sheet on stainless steel tube



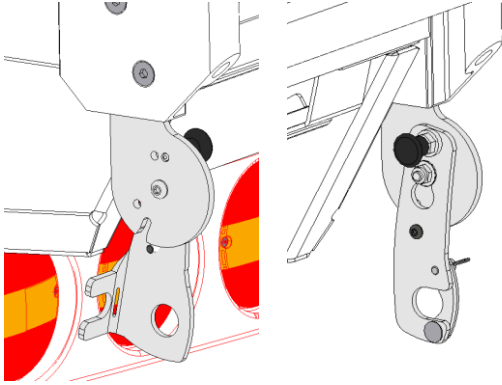
Plastic storage tube

Figure 3: Floor sheet and storage tube.

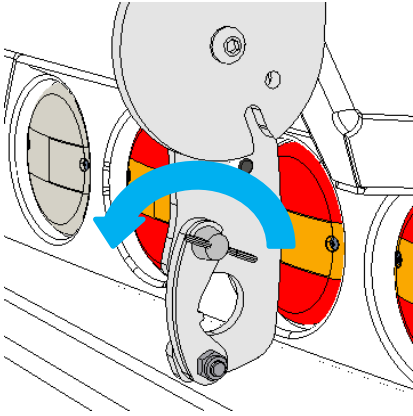
## 1.1 Mounting brackets and operating

This chapter describes how to mount the floor sheet brackets and operate the floor sheet.

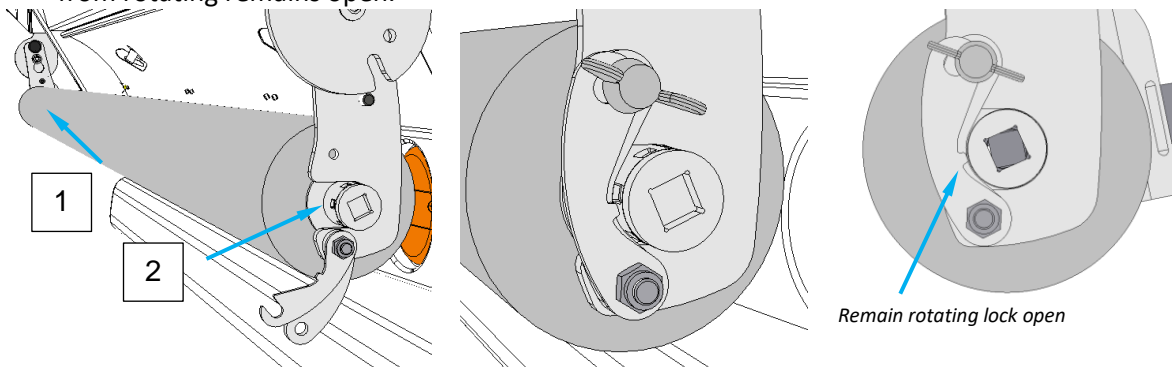
1. Mount brackets (left and right) at the rear end of the semi-trailer:



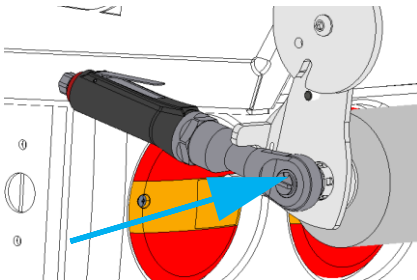
2. Loosen wing screw and open bracket:



3. Mount floor sheet and close tube holder, make sure that the plate which prevents the tube from rotating remains open.



4. Mount air wrench. Floor sheet is now ready for use.



## 1.2 Floor sheet positions

The floor sheet brackets are hinged and can be put in different positions.

The drive position is meant for a clear view to the rear lights for other traffic. In the operating position the tube causes a bad view to the rear lights. This is dangerous but more important this is forbidden by law.

To switch between positions simply pull out the knob and turn the bracket in the desired position.

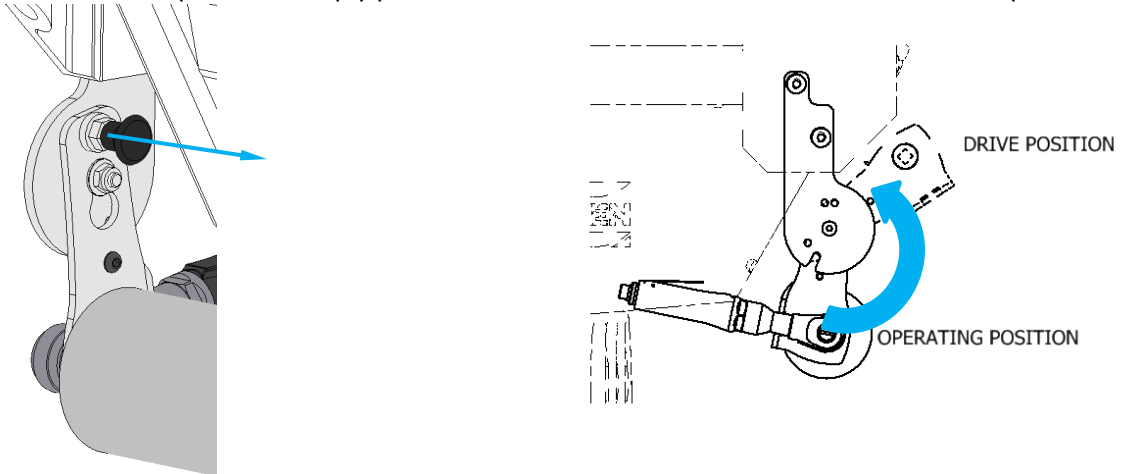
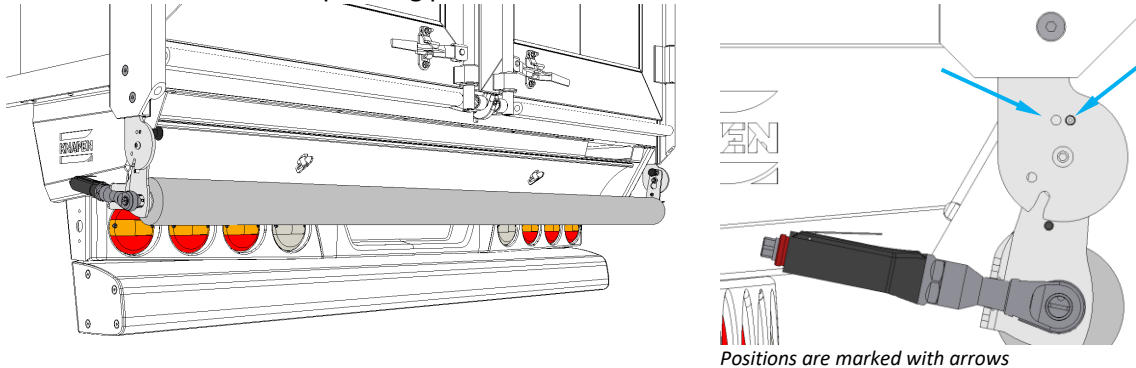


Figure 4: Switch positions.

### **Operating positions:**

In the mount there are 2 operating positions. It does not matter which one is chosen.

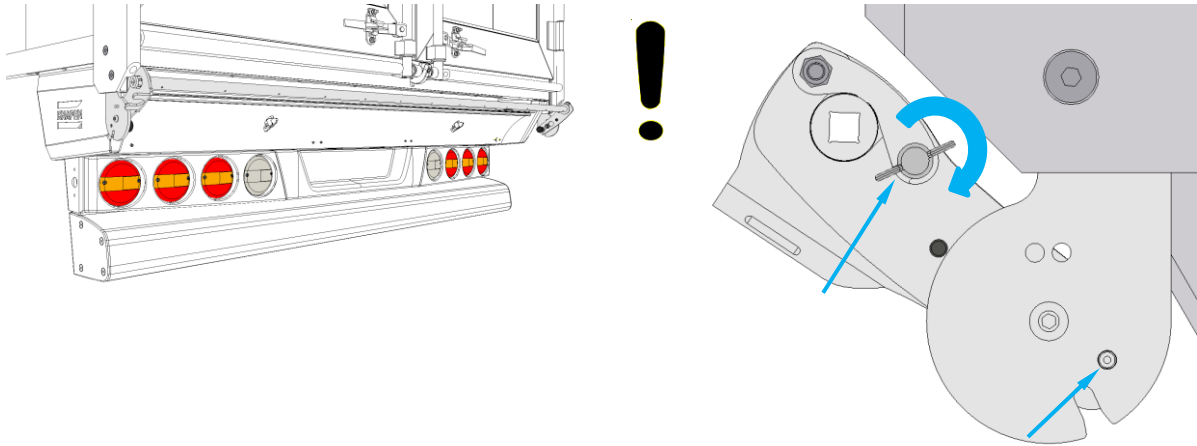


Positions are marked with arrows

Figure 5: Operating positions.

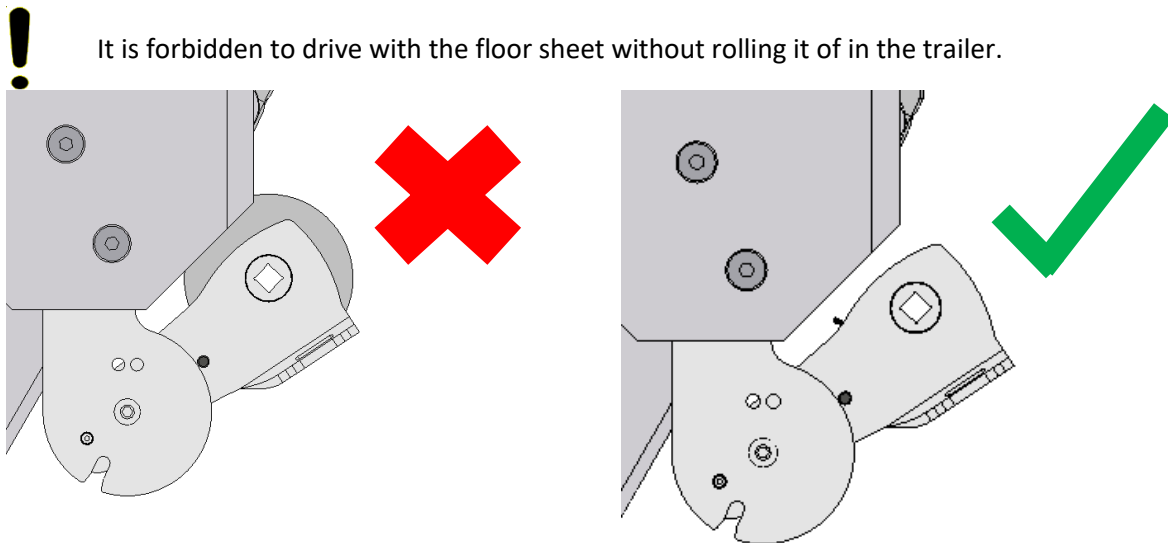
**Drive (transport) position**

In order to have a clear sight to the rear lights the floor sheet must be in the upper position while driving. Also make sure the rotating locking plate is closed as well to prevent the tube from rotating during the ride and the wing screw is tightened well.



Drive (transport) position, marked arrows

Figure 6: Drive (transport) position.



It is forbidden to drive with the floor sheet without rolling it of in the trailer.